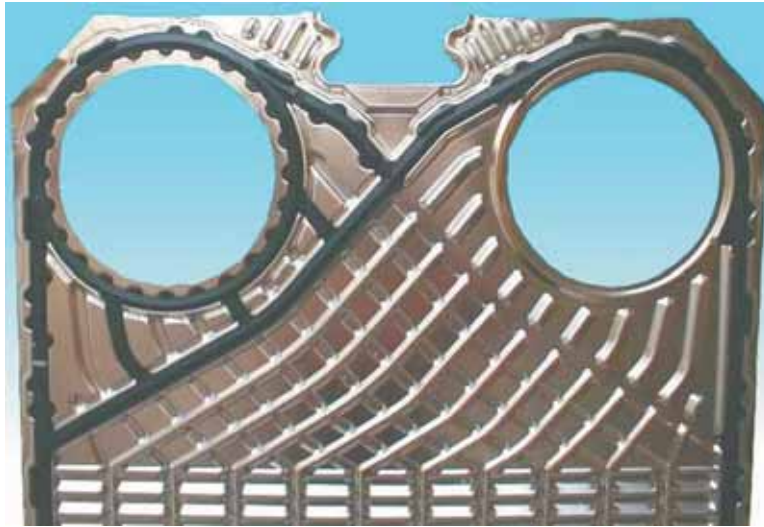


Free Flow Plate Exchanger Models

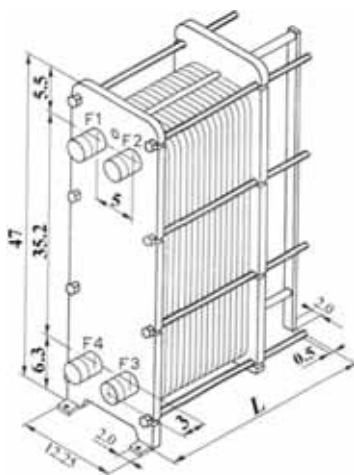
SEC Heat Exchangers

2546 Iona Road, Belfast, PE, Canada, C0A-1A0

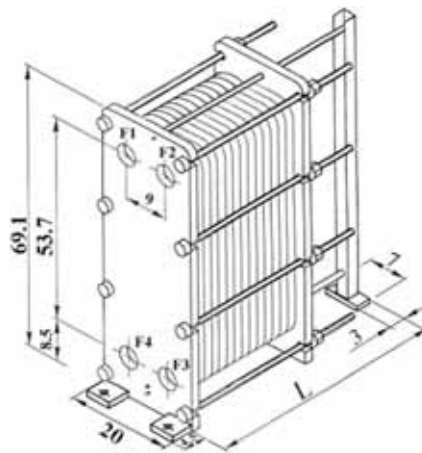
1.800.335.6650 - 1.902.659.2424 - info@secheatexchangers.com



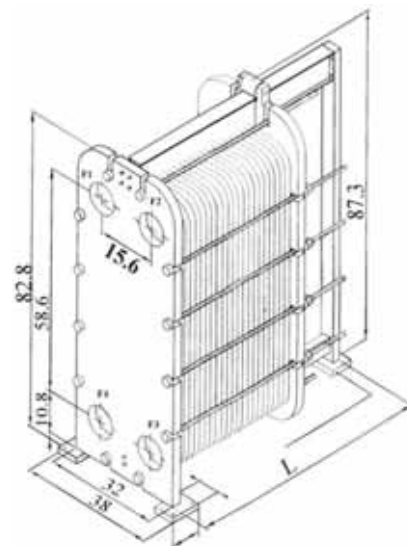
**SEC Free Flow Plate Exchanger Models Available:
call 1.800.335.6650 for selection and ordering**



AMDX-25F



AMDX-53F



AMDX-101F

Standard construction includes:

- Either 100/150 PSI design Pressure
- Epoxy coated frame
- Mounting feet
- Heat Transfer plates in either 304 SS, 316 SS, Titanium

Available Connections (Vary depending upon model selected):

- Studded Port Configuration (Rubber Lined, SS Lined)
- Flanged Nozzles
- SS NPT
- Victaulic
- TRI Clamp

ASME code stamping is available

SEC Free Flow Plate Heat Exchangers 1.800.335.6650

“High Performance - Exceptional Value”